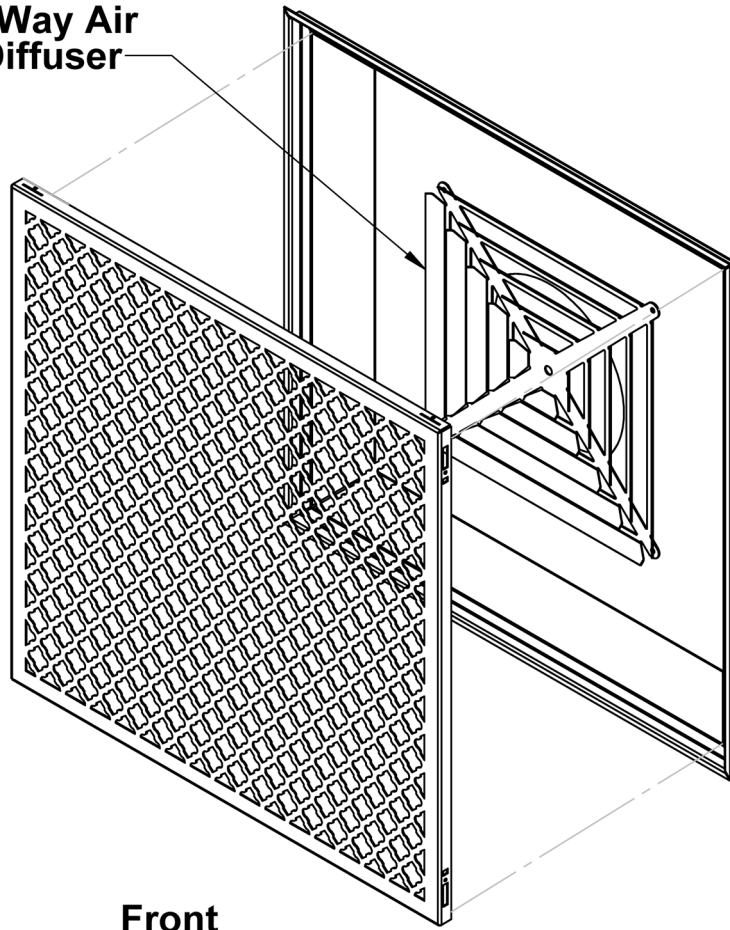
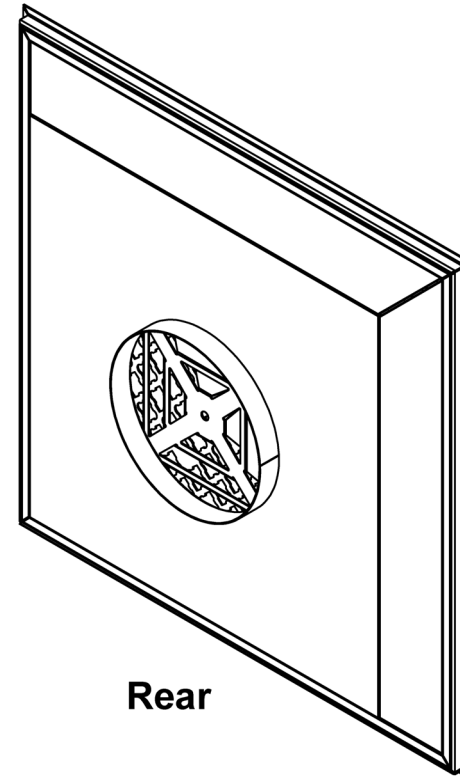


4-Way Air Diffuser



Front



Rear

**General T-Bar Submittal**

APPROVED/NO REVISION

APPROVED WITH REVISIONS NOTED

REVISE AND RESUBMIT



MATERIAL:

ABOVE DIMENSION ARE IN INCHES

Cust:  
PO#

TOLERANCE: +/-0.0625

DRAWN BY:

REVISED BY:

DATE:

Client Approval/Date

**X**

SHEET 1 OF 1

Rev:

THIS INFORMATION CONTAINED IN THIS DRAWING IS THE SOLE PROPERTY OF STEELCREST CORPORATION. ANY REPRODUCTION IN PART OR AS A WHOLE WITHOUT WRITTEN PERMISSION OF STEELCREST CORPORATION IS PROHIBITED.