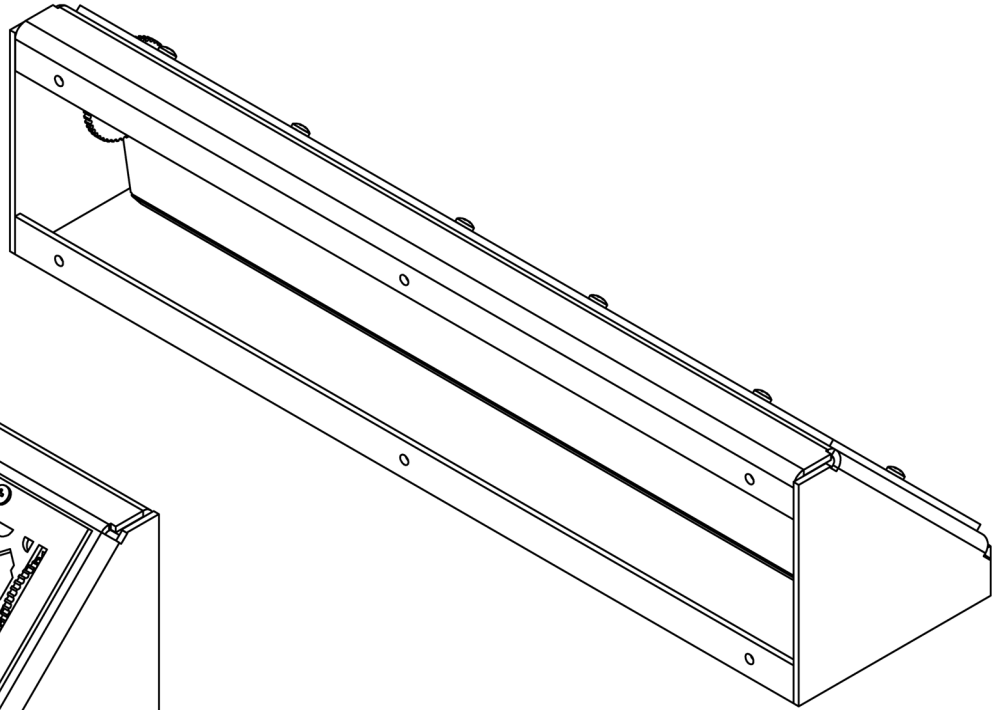



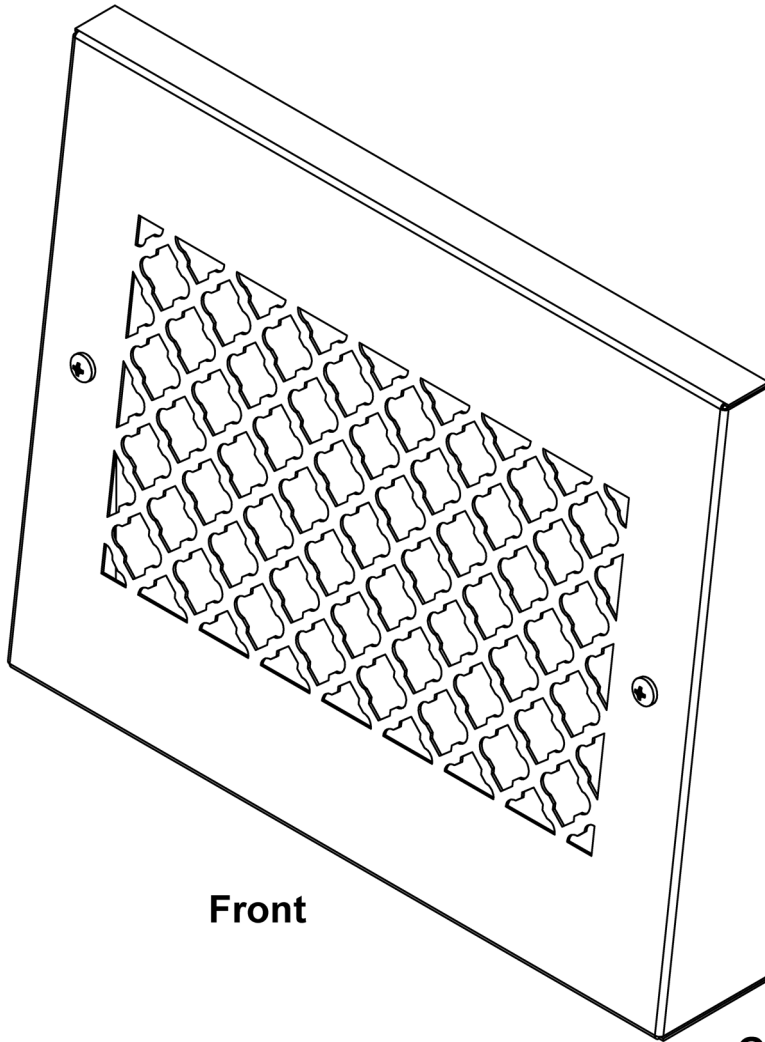
Front



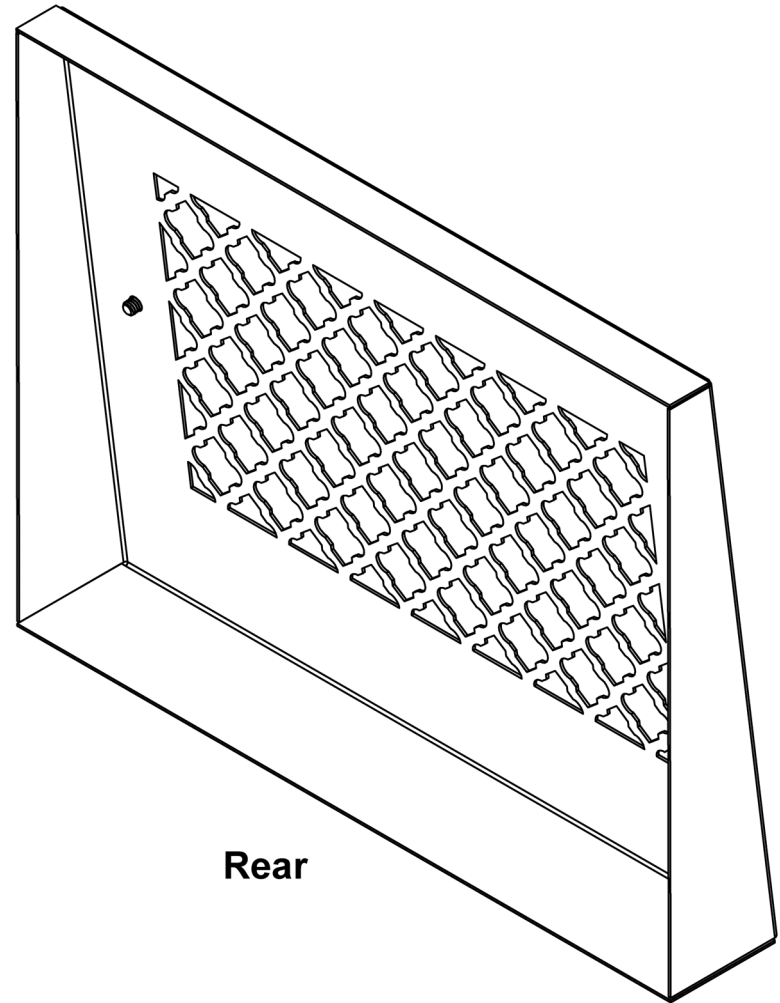
Back

General Baseboard Submittal

APPROVED/NO REVISION		APPROVED WITH REVISIONS NOTED		REVISE AND RESUBMIT	
	MATERIAL:	TOLERANCE: +/-0.0625	Client Approval/Date		SHEET 1 OF 1
	ABOVE DIMENSION ARE IN INCHES	DRAWN BY:			
	Cust:	REVISED BY:	Rev:		
PO#	DATE:				



Front



Rear

General Gravity Baseboard Submittal

APPROVED/NO REVISION

APPROVED WITH REVISIONS NOTED

REVISE AND RESUBMIT



MATERIAL:

ABOVE DIMENSION ARE IN INCHES

**Cust:
PO#**

TOLERANCE: +/-0.0625

DRAWN BY:

REVISED BY:

DATE:

Client Approval/Date

X

SHEET 1 OF 1

Rev:

THIS INFORMATION CONTAINED IN THIS DRAWING IS THE SOLE PROPERTY OF STEELCREST CORPORATION. ANY REPRODUCTION IN PART OR AS A WHOLE WITHOUT WRITTEN PERMISSION OF STEELCREST CORPORATION IS PROHIBITED.