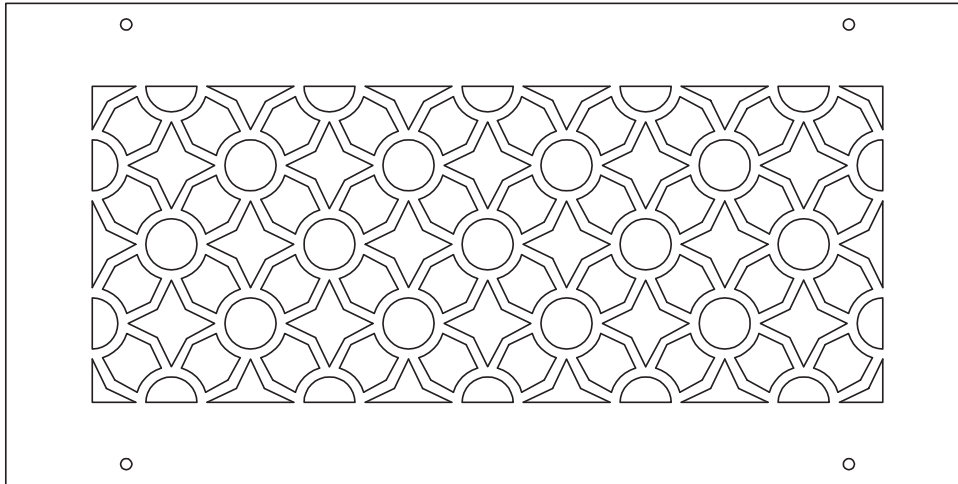
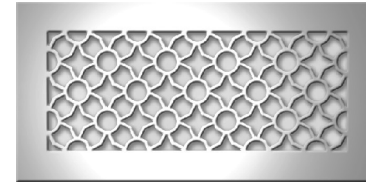
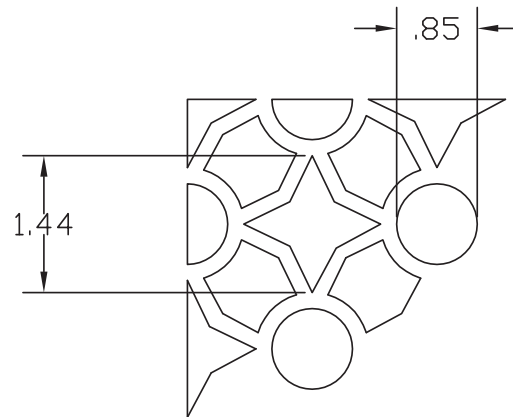


PATTERN DETAIL MEASUREMENTS

NOTE: measurements are approximate and will vary with register size.



EXPO DESIGN AIR FLOW / PERFORMANCE DATA

	250	500	750	1000	1500
Velocity	0.017	0.011	0.0175	0.023	0.035
Static Pressure					
SIZE	CUBIC FEET PER MINUTE (CFM)				
6x6 (.25ft ²)	42	85	125	170	255
8x8 (.44ft ²)	75	150	225	300	450
10x10 (.69ft ²)	115	235	350	465	700
12x12 (1.0ft ²)	167	335	500	680	1020
14x14 (1.36ft ²)	225	461	686	911	1372
8x6 (.33ft ²)	55	113	168	223	336
10x6 (.42ft ²)	69	141	210	279	420
12x6 (.5ft ²)	83	169	252	335	504
14x6 (.58ft ²)	97	197	294	391	588
16x6 (.67ft ²)	110	226	336	446	672
18x6 (.75ft ²)	124	254	378	502	756
20x6 (.83ft ²)	138	282	420	558	840
10x8 (.56ft ²)	92	188	280	372	560
12x8 (.67ft ²)	110	226	336	446	672
14x8 (.78ft ²)	129	263	392	521	784
8x4 (.22ft ²)	37	75	112	149	224
10x4 (.28ft ²)	46	94	140	186	280
12x4 (.33ft ²)	55	113	168	223	336



MATERIAL: 11 GAUGE STEEL
 ABOVE DIMENSIONS ARE IN INCHES
 FINISH: TO BE DETERMINED
 OVERALL OPENNESS, EXPO PATTERN, 67%

PROJECT:

SCALE	NONE
DRAWN	DL
DATE	10-18-06
Q.A.	
COMMENTS	

EXPO DESIGN

THIS INFORMATION CONTAINED IN THIS DRAWING IS THE SOLE PROPERTY OF STEELCREST CORPORATION. ANY REPRODUCTION IN PART OR AS A WHOLE WITHOUT WRITTEN PERMISSION OF STEELCREST CORPORATION IS PROHIBITED

Expo ~ Submittal Sample