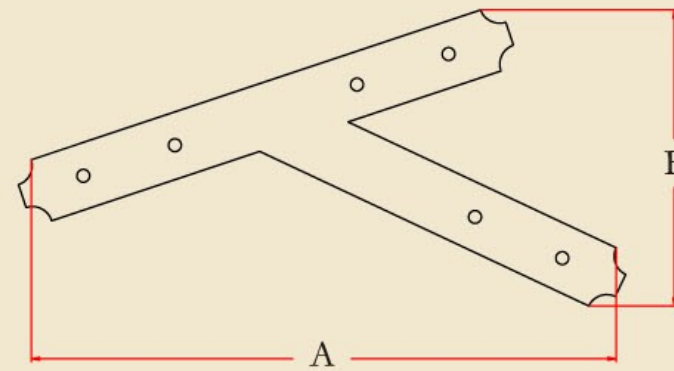


Timber Truss Plates

Decorative steel truss plates cut to any size or shape



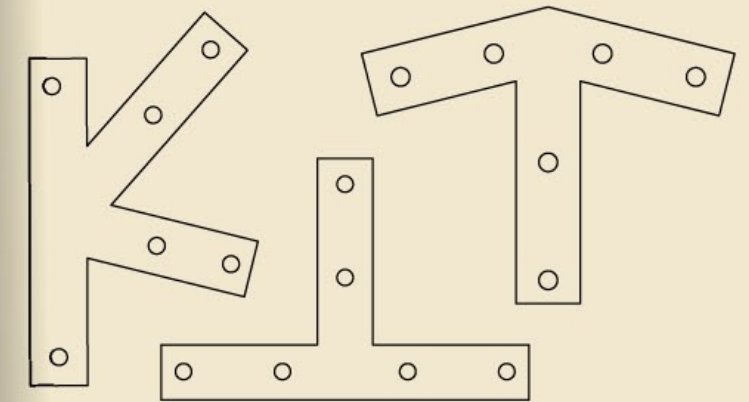
Simply provide us with a DXF or DWG drawing, or your blue prints and we can make any truss plate. Choose one of our decorative ends, or design your own. Any thickness up to 1/2".



Price chart for Timber Truss Plates is available on our website, simply measure total width (A) and total height (B) then apply those sizes to our chart.

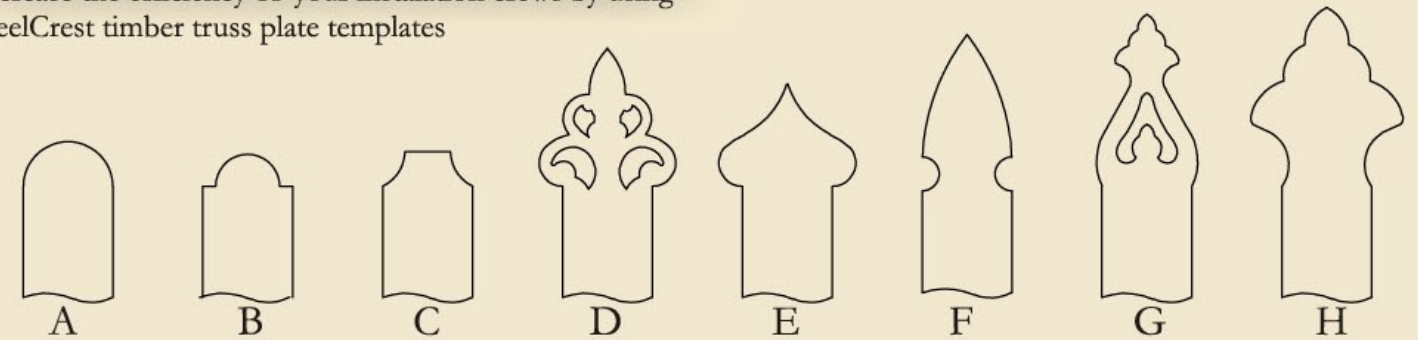


SteelCrest Truss plates come standard with complimentary thin metal templates that have 1/8" hole centers to assist in layout, as shown above

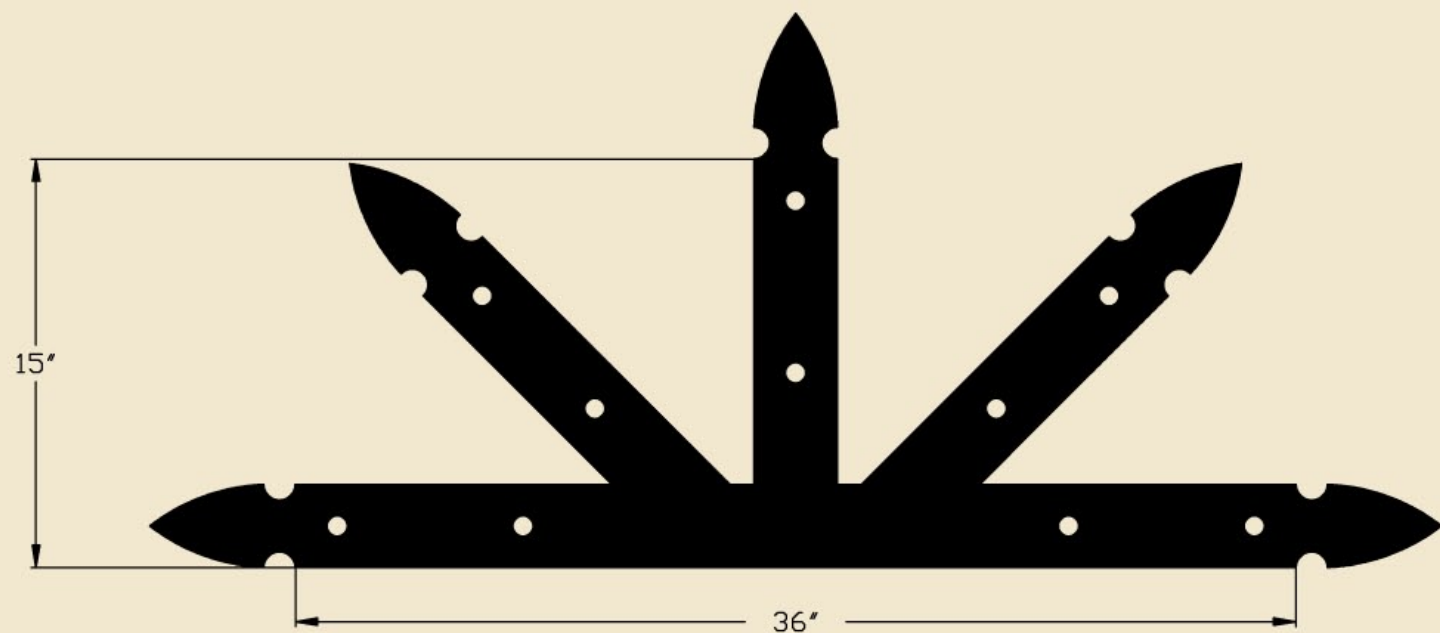


SteelCrest can cut any size and shape.

Increase the efficiency of your installation crews by using SteelCrest timber truss plate templates



You can choose from one of our stock ends at no additional cost or for a small fee design your own. All decorative ends are added to the truss plate at the drawing stage and laser cut for the best appearance.



This plate retails for \$64.97 in 1/4 inch steel

- Express your personality with SteelCrest Timber Truss Plates
- All plates come standard with a complimentary thin metal template to help in layout
- Choose any of our standard decorative ends at no additional cost or design your own for a small fee.
- Custom shapes and designs are always welcome - if you can dream it we can build it
- Truss Plates can be made in any thickness from 18 gauge to 1/2 inch thick steel
- SteelCrest can make your Truss Plate in Stainless steel up to 3/8 inch thick or in aluminum to 1/4 inch thick
- Powder coat your Truss Plates for a distinctive look and corrosion resistance
- Hardware can be provided for an additional cost



SteelCrestOnline.com

1-866-816-9005

SteelCrest Timber Truss Plates Style Meets Affordability

